

PRESSURE COMPENSATION DEVICE SNAP-IN

DA 284 | IP66



Photo: Inside view

- > High degree of protection
- > Waterproof membrane

- > Easy to install due to snap-in action

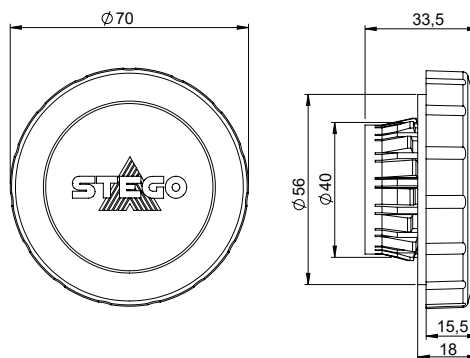
In enclosures and housings with a high protection class, differential pressure happens due to internal and external temperature changes. In the event of negative pressure, dust and humidity can be drawn into the enclosure through the seals on the doors. This can cause condensation when the air in the enclosure cools down. The easy-to-fit DA 284 pressure compensation device enables pressure compensation with protection class IP66 (M12: IP66/IP68). Additionally, the watertight membrane inside the pressure compensation device allows humidity to escape from the cabinet at overpressure, while preventing water, humidity or dirt intrusion at under pressure.



TECHNICAL DATA

| | |
|--------------------|---|
| Mounting | Snap-In, mounting from outer side |
| Wall thickness | 1 to 4 mm |
| Depth in enclosure | approx. 15 mm, according to wall thickness |
| Sealing | sealing gasket EPDM |
| Filter | waterproof membrane |
| Dimensions | Ø 70 x 33,5 mm |
| Fitting position | variable |
| Accessories | Disassembly tool, Art. No. 283038 |
| Note | Material adheres to limit values in accordance with RoHS3 |

Installation: Make cut-out Ø 40+0,5 mm in enclosure wall for size M40. Attach pressure compensation element from the outer side of the enclosure (housing). Make sure that the hole is round and free of burrs. The sealing ring must be mounted on the outer side of the housing wall. Apply sufficient pressure so the five snap-in hooks fully engage. Snap-in pressure is easily adaptable to wall thickness of the enclosure.



| Art. No. | Material | Protection type | Air permeability ¹ | Operating/Storage temperature | packing unit | Weight (approx.) | Approvals |
|------------|--|--------------------------------------|-------------------------------|--------------------------------|--------------|------------------|----------------|
| 28420.0-00 | plastic according to UL94 V-0, light grey; weather proof and UV light resistant according to UL746C (f1) | IP66 (EN 60529) / IPX9K (EN 40050-9) | 2000 l/h | -35 to +70 °C (-31 to +158 °F) | 1 piece | 45 g | UL E234324 EAC |

¹ at a pressure difference of min. 70 mbar